



eGauge Pulse Sensor

Model: EPS

Compatible With

- 2-wire pulse output
- 3-wire 5-volt Hall-effect pulse output

Features

- CTid auto-configure
- CTid locator LED
- Includes 7' RJ-11 cable for connection to Sensor Hub

Connections

- RJ-11 (on back) for communication and power from Sensor Hub
- 3-pin pulse input (Ground, Signal, +5Vdc)

Enclosure

- Extruded aluminum
- 26 x 26 x 40 (mm)
- 1.02 x 1.02 x 1.57 (in.)

Warranty

- 2-year Limited Warranty

Operating Specs

- -30 °C to 70 °C
- Humidity range: Up to 80%

Tech Specs

- Up to 600Hz max pulse rate
- 4.7 k Ω pull-up resistor between Signal and 2V
- Signal pin: open- 2V; closed- 0V
- FCC Title 47 CFR Part 15-Subpart B Class B

Requires

- eGauge Core/Pro (EG4xxx) meter
- eGauge Sensor Hub (ESH044)

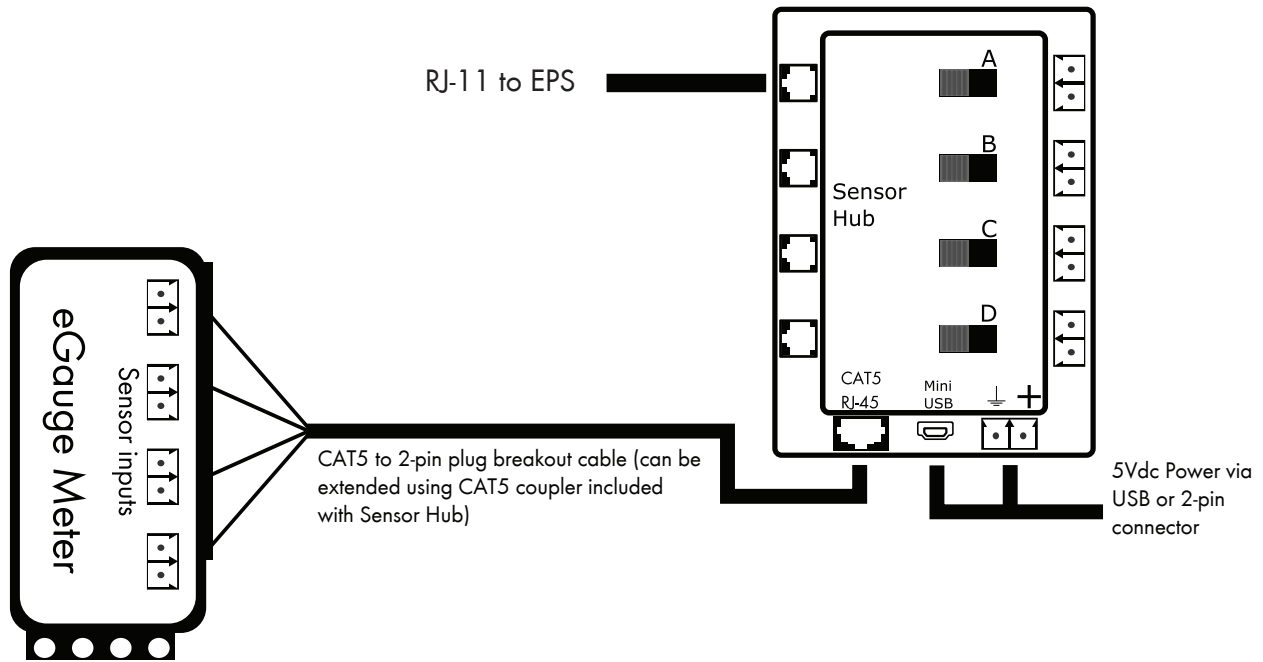


The eGauge Pulse Sensor allows EG4xxx meters to read pulse output from standard 2-wire or 3-wire Hall-effect pulse devices such as water and gas meters. The Pulse Sensor requires the eGauge Sensor Hub (ESH044). Wiring diagrams for the Sensor Hub and compatible outputs can be found on the following page.

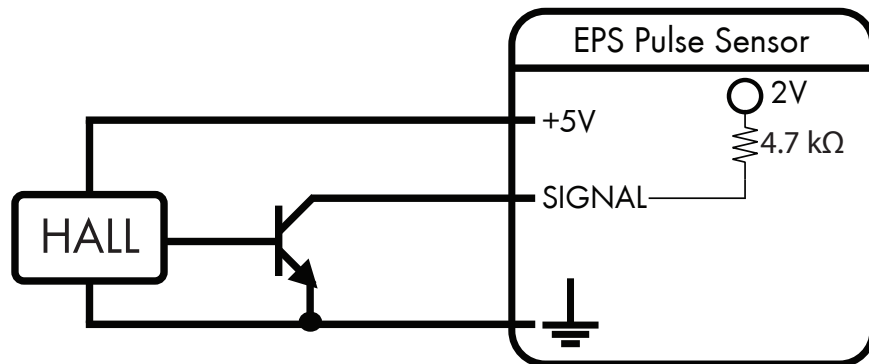


For more information visit
egauge.net/support/m/eps

Sensor Hub Connection



Hall-effect Pulse Connection



2-wire Pulse Connection

