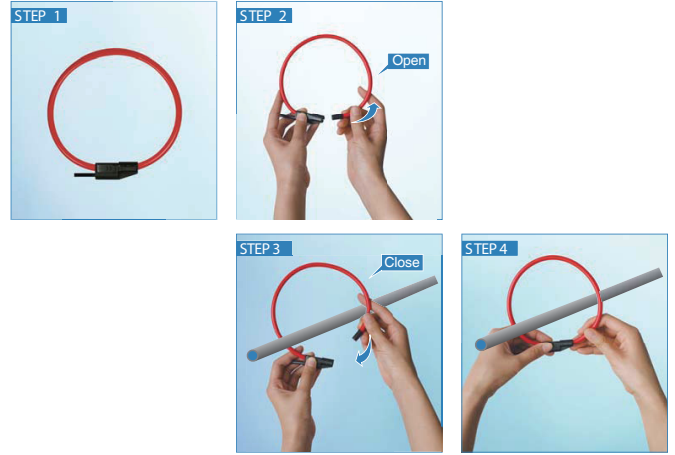


Clamp-on Flexible Rogowski coil CT



JRF-115 Series

How to use >>>



J&D's new Micro-accuracy flexible rogowski coil measures even sensitive error to use special magnetic winding technology with small size. It is very effective for small sized AC measuring utility since it reduces chronically affected errors on existed Rogowski coil by conductor's position.

Applications

- Energy sub-meters
- Power meters
- Power quality monitoring
- Condition monitoring
- Distributed measurement systems

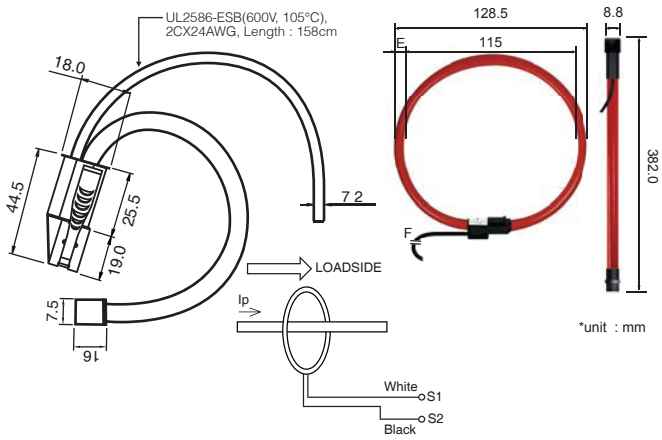
Features

- Ø115mm sensing aperture for non-contact measurement
- Very low position sensitivity
- No danger from open-circuited secondary
- High secondary output voltage & precise linearity error
- Isolated plastic case recognized according to UL94 -V0

Specification

MODEL	JRF-115
Current Range	2,000A
Output Voltage	136mV AC/2,000A @ 50 Hz 163.2mV AC/2,000A @ 60 Hz
Accuracy	< 1%
Phase Shift	< 1° at 50/60Hz (typical < 0.5°)
Frequency Range	25Hz to 5kHz
Output Sensitivity Tolerance	±5% maximum(Uncalibrated)
Output Sensitivity Tolerance	±0.5% of reading at 25°C (Calibrated)
Linearity (10% to 100% of range)	±0.2% of reading
Conductor Position Sensitivity	±2% maximum
Influence of External Field	±2% maximum
Working Temp.	-20°C to +60°C
Insulation Category	CAT III

Dimension



Output graph

